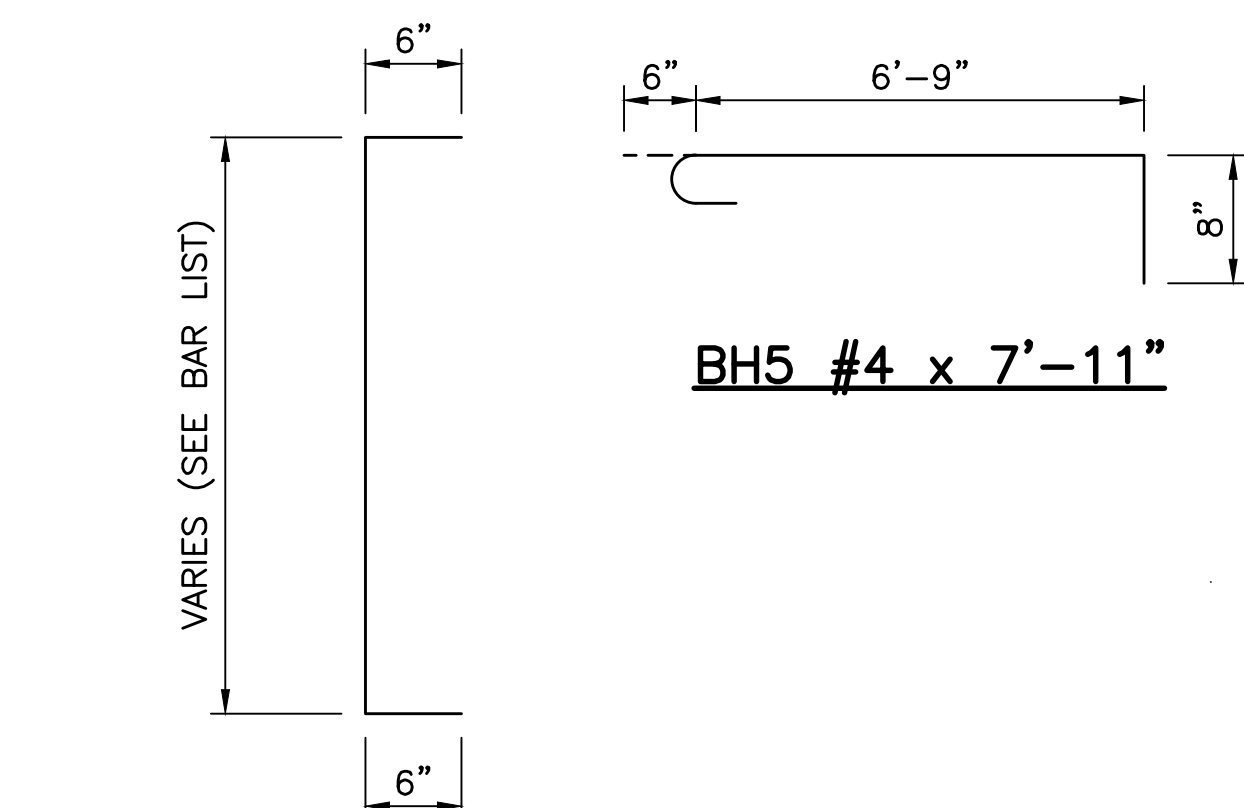
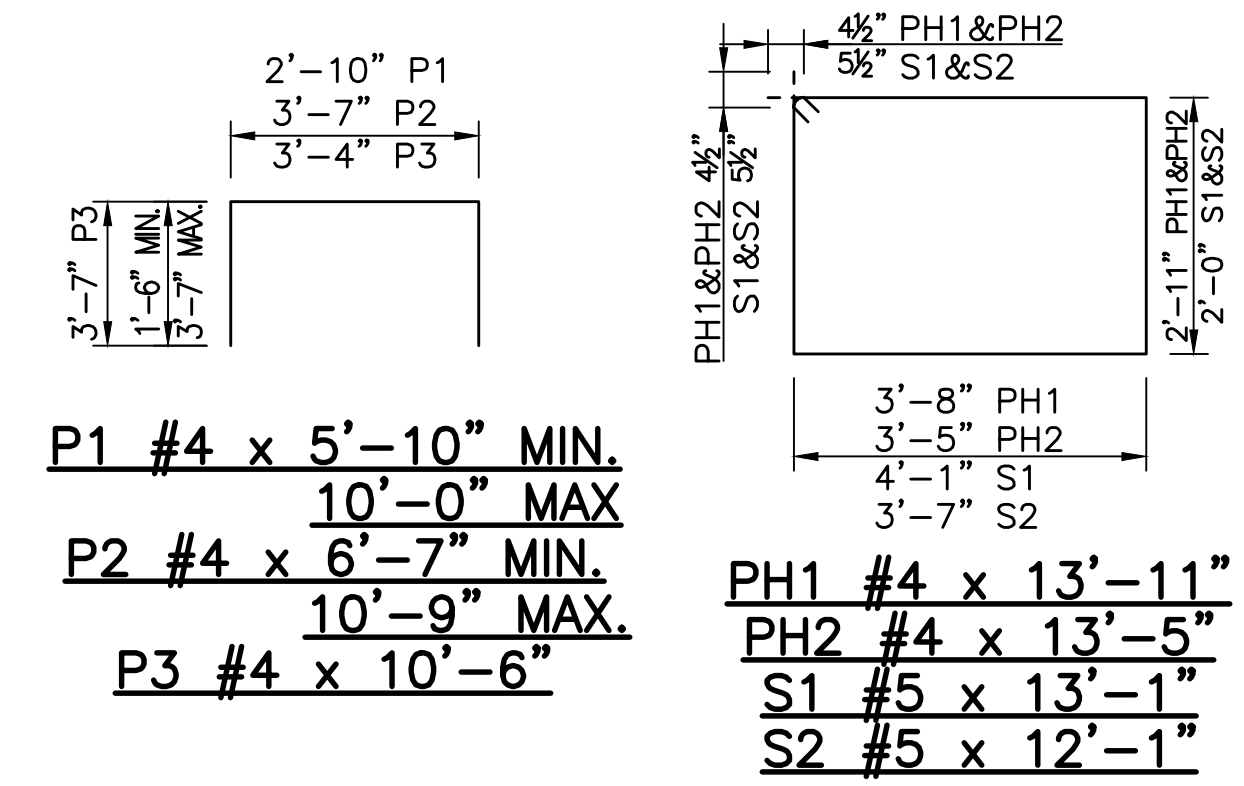
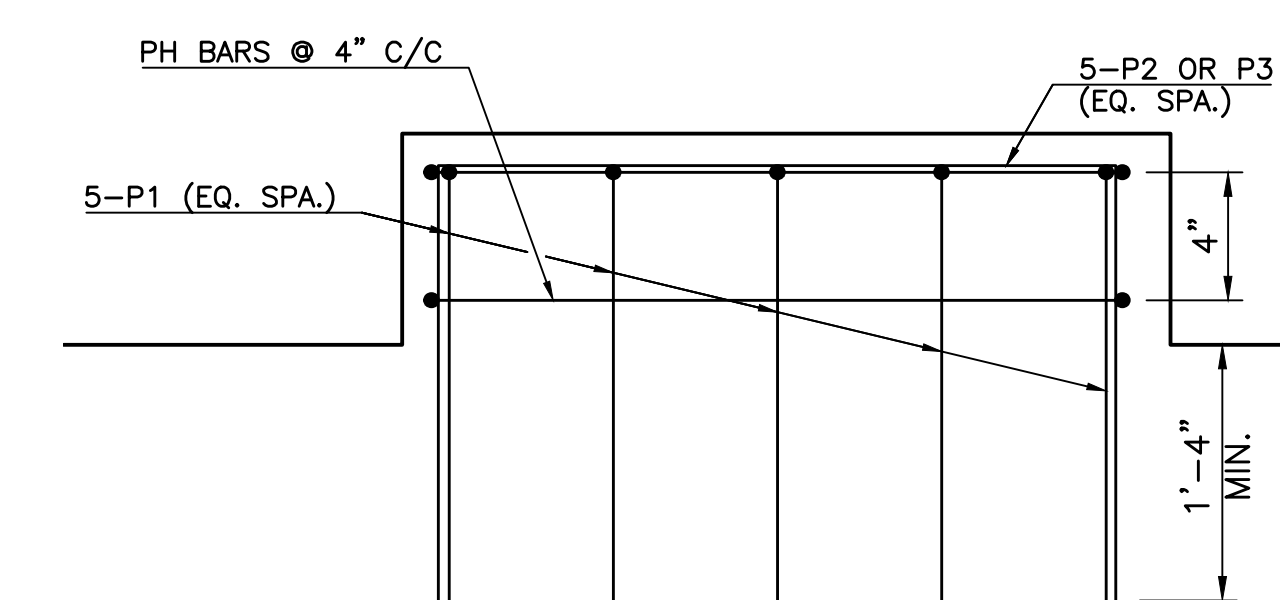
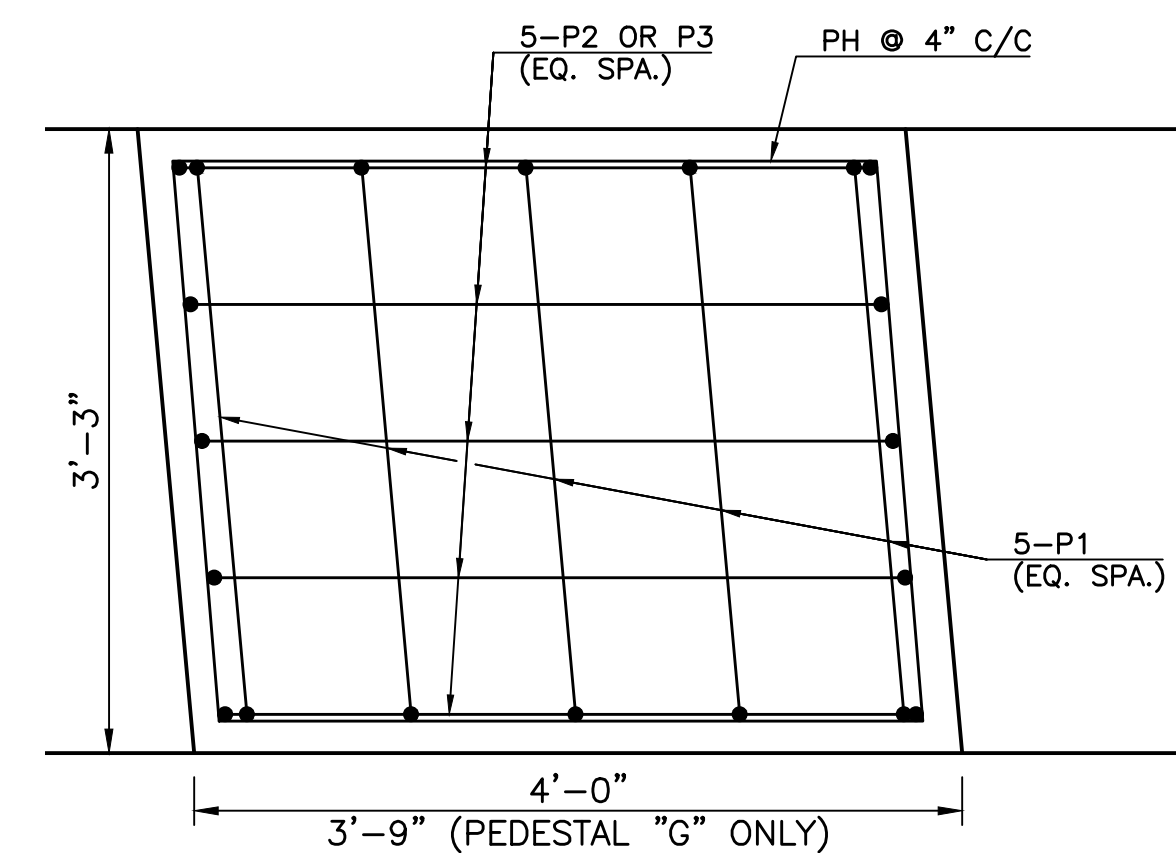
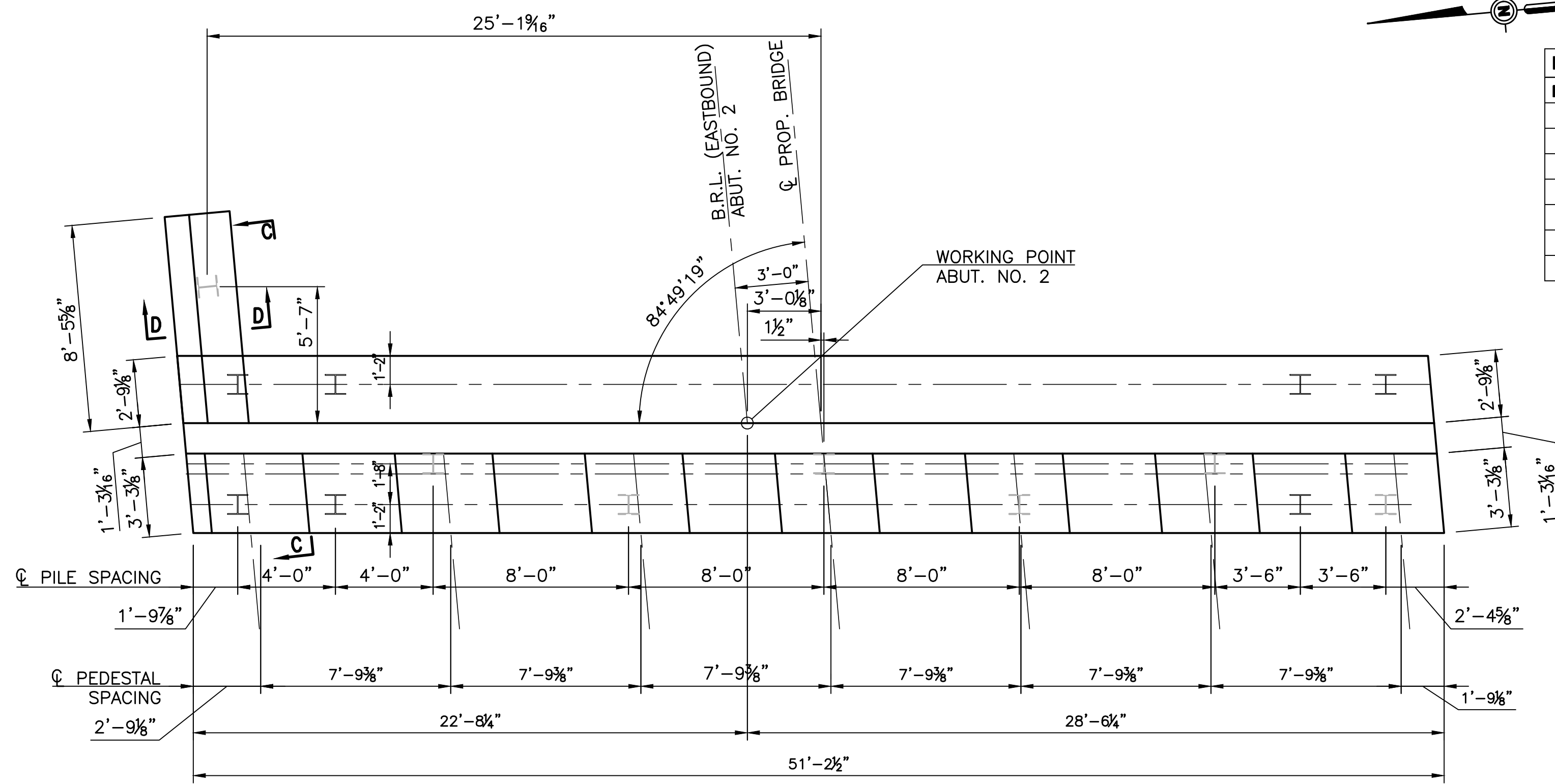
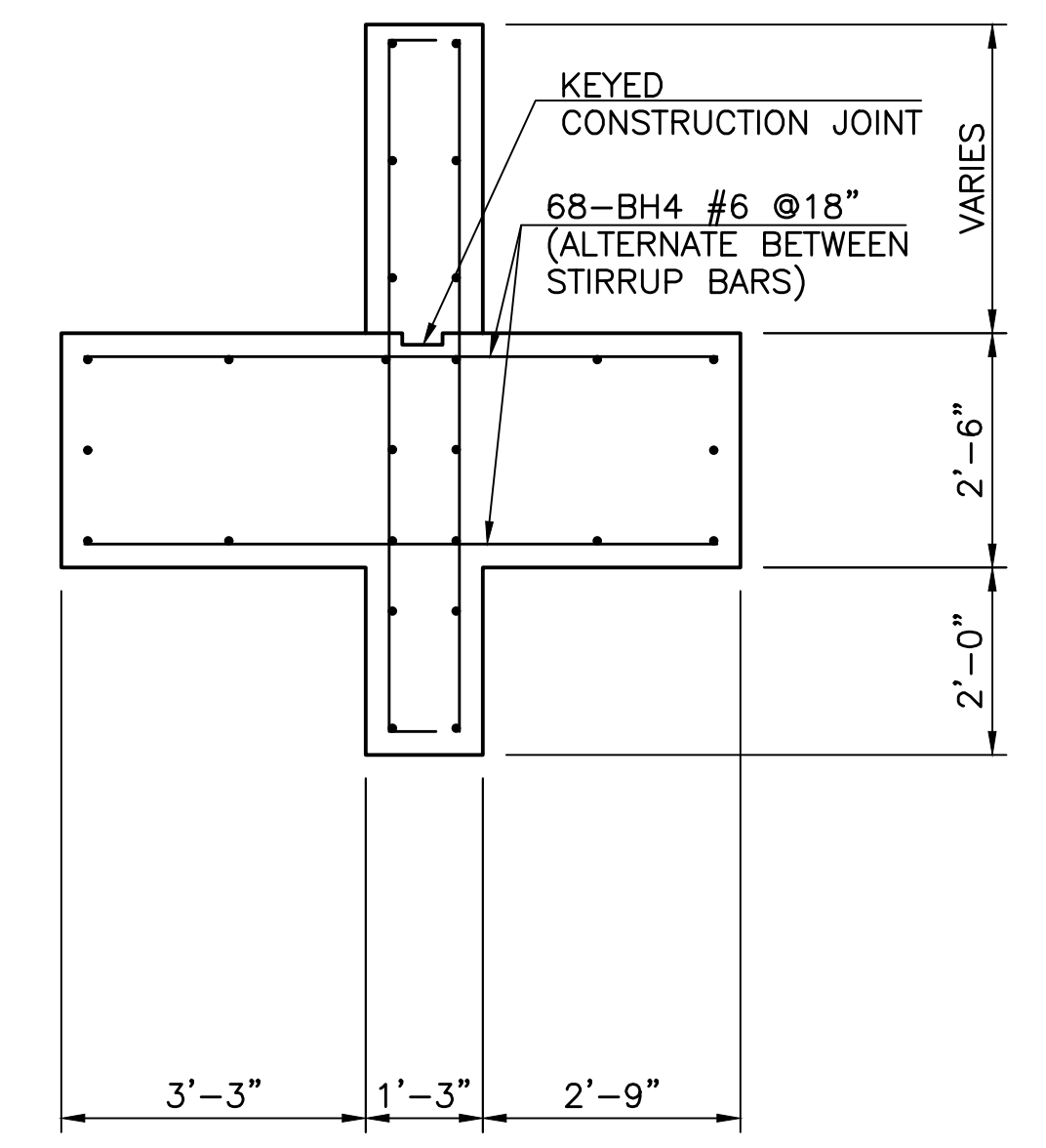
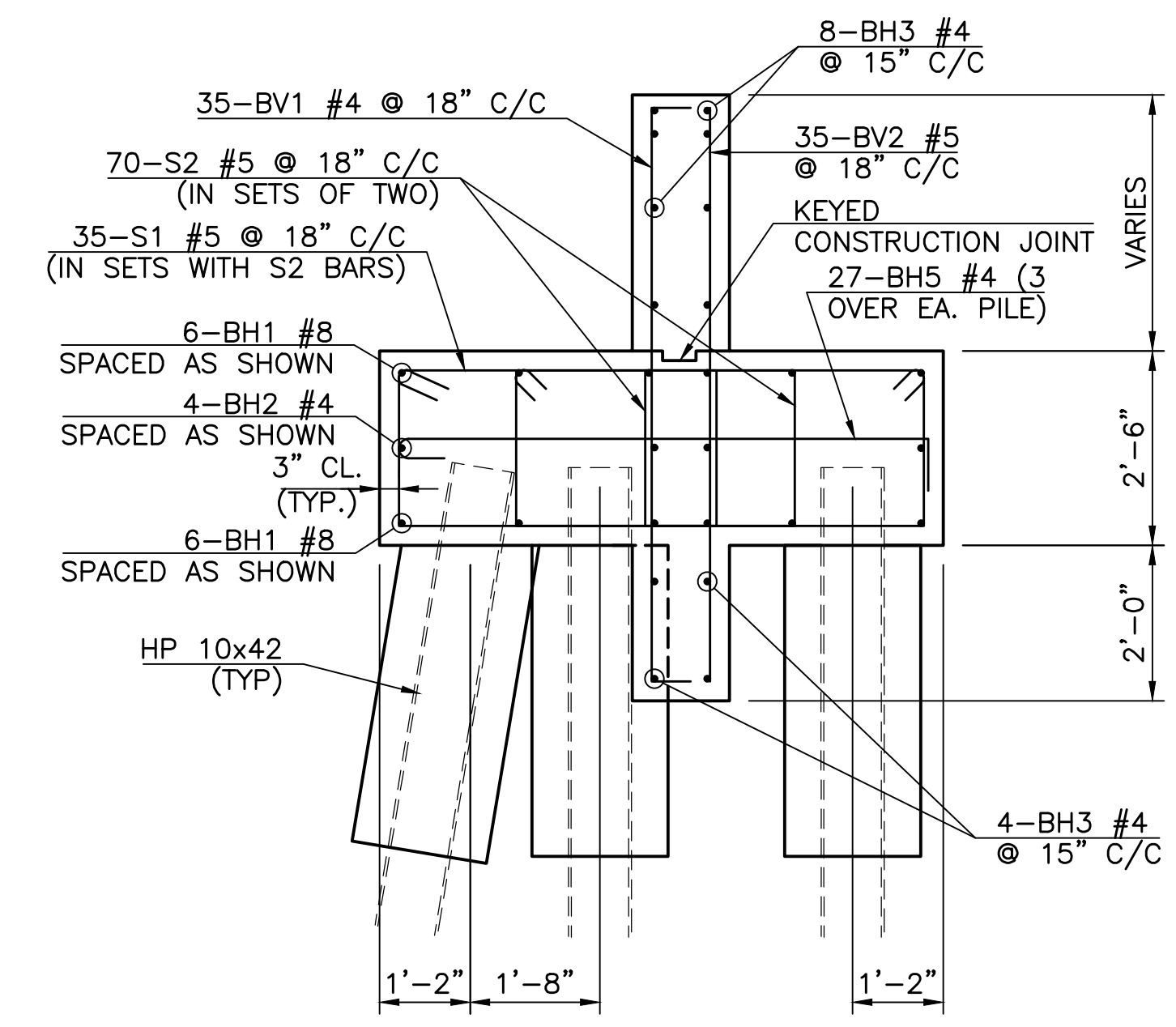
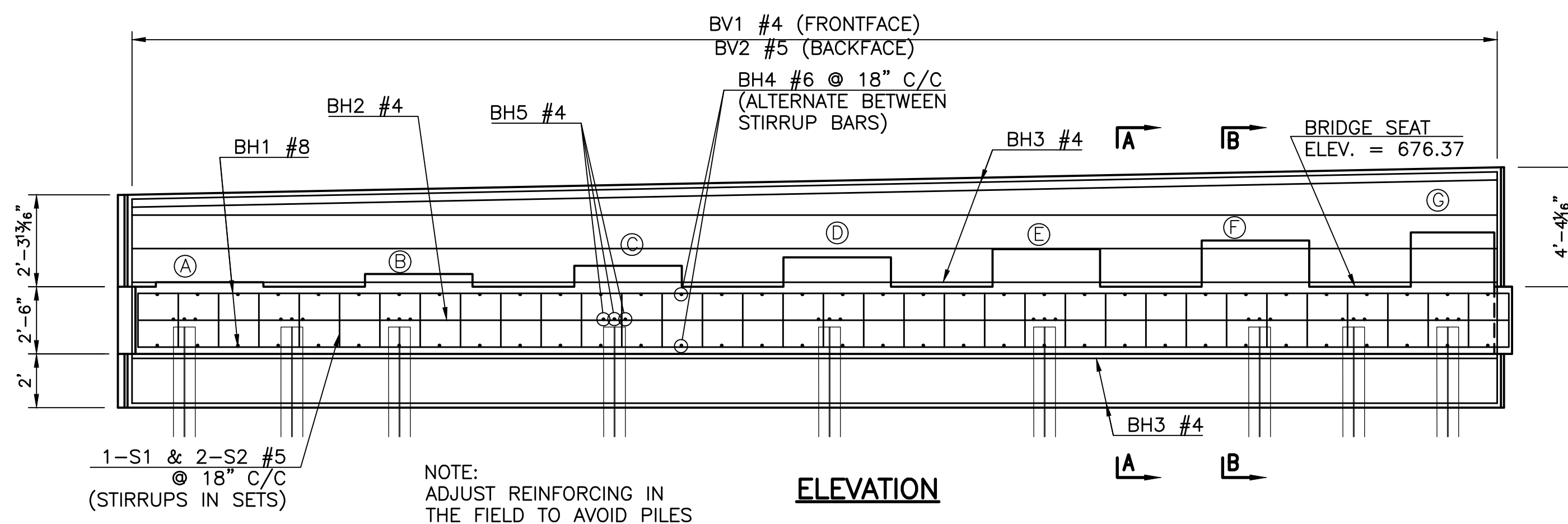


REVISIONS		
REV. NO.	DESCRIPTION	DATE

BRIDGE "B" ABUT. NO. 2	
POINT	PEDESTAL HEIGHT
A	676.53
B	676.84
C	677.15
D	677.46
E	677.77
F	678.09
G	678.39



BV1 #4 x 8'-4" AVG.



BRIDGE "B" ABUTMENT 2 QUANTITIES		
ITEM	UNIT	TOTAL
CLSM BACKFILL	C.Y.	10.0
CLASS A CONCRETE	C.Y.	54.0
EPOXY COATED REINFORCING STEEL	LB.	6,025.9
PILES, FURNISHED (HP10X42)	L.F.	343.0
PILES, DRIVEN (HP10X42)	L.F.	343.0
WATER REPELLENT (VISUALLY INSPECTED)	S.Y.	72.4

BRIDGE "B" ABUTMENT 2 BAR LIST					
MARK	SIZE	FORM	NUMBER	LENGTH	LENGTH VARIATION
EPOXY COATED					
BH1	#8	STR.	12	50'-9"	
BH2	#4	STR.	4	50'-9"	
BH3	#4	STR.	12	50'-9"	
BH4	#6	STR.	68	6'-9"	
BH5	#4	BNT.	27	7'-11"	
S1	#5	BNT.	35	13'-1"	
S2	#5	BNT.	70	12'-1"	
BV1	#4	BNT.	35	8'-4" AVG	7'-4" TO 9'-4"
BV2	#5	STR.	35	7'-4" AVG	6'-4" TO 8'-4"
P1	#4	BNT.	30	7'-11" AVG	5'-10" TO 10'-0"
P2	#4	BNT.	25	8'-8" AVG	6'-7" TO 10'-9"
P3	#4	BNT.	5	10'-6"	
PH1	#4	BNT.	10	13'-11"	
PH2	#4	BNT.	5	13'-5"	

DESIGN	MW	11/16	TULSA COUNTY OKLAHOMA DEPARTMENT OF TRANSPORTATION DETAILS OF BRIDGE "B" ABUTMENTS (ABUT. NO. 2) STATE JOB NO. 28884(04) SHEET NO. 41
DRAWN	SDK	11/16	
CHECKED	HRA	11/16	
APPROVED			
WALTER P MOORE			

V:\MPS\2012\2000-07 0000 EC-1414 US-64 Item 3\CD\03\03a\38-42-412-2000-07-ABUTMENTS.dwg Job: 13, 2017 8:17am wpm/ks